

Magnetti Marelli

RTT101C

R1	25 ohm	Potentiometer	Wirewound
R2	82 ohm	Resistor	1 watt
R3	100 ohm	Resistor	1 watt
R4	220 ohm	Resistor	0.5 watt
R5	100 ohm	Resistor	Ceramic
R6	1500 ohm	Resistor	0.5 watt
T1,T2	ASZ18 2 P50	Transistor	Germanium pnp 8amp 32 volts
C1		Capacitor	Sprague C30D 100/15 7047 -1556+
C2	.22 microF	Capacitor	Sprague .22-150v 121P22401R584
D1	P100	Small Diode	1 amp
D2	4AF2 OE	Big Diode	Black
D3	4AF2 1D	Big Diode	Red
Z1	6V2	Small Zener	6.2 volt 1.3 watts
Z2	BZY93 C22	Big Zener Diode	Stud Cathode 22volts 10 watts

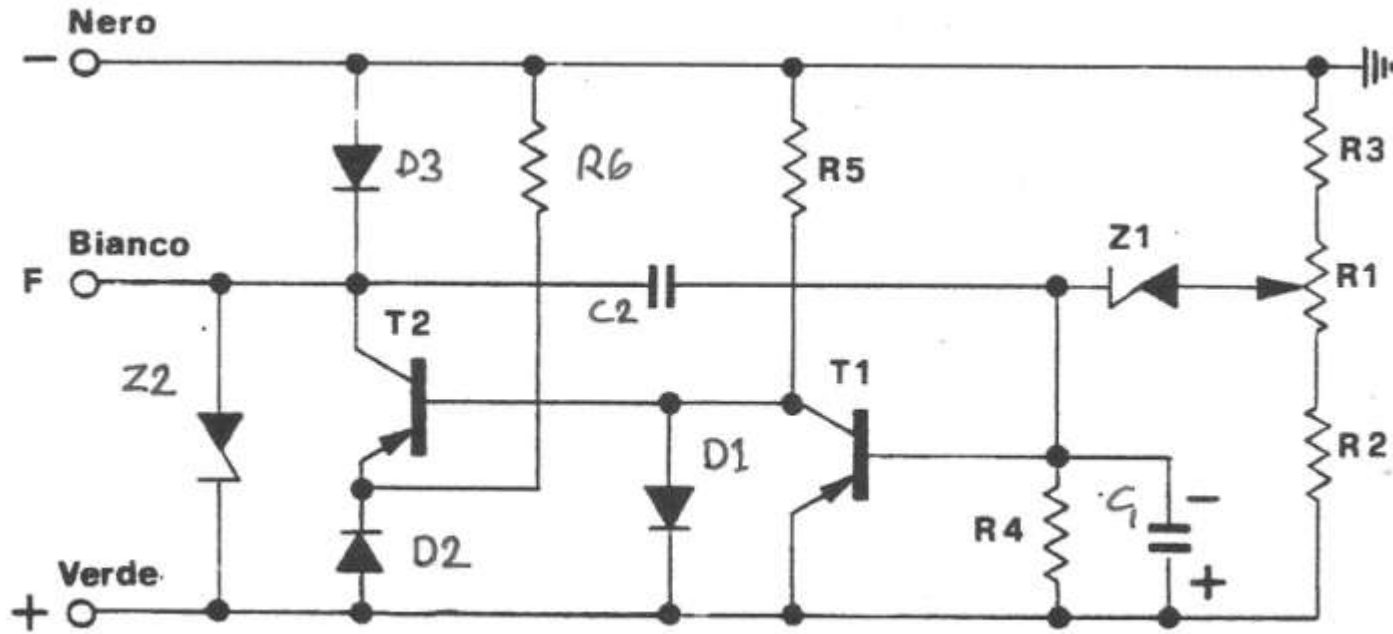


Fig. 106 Voltage Regulator Electrical Wiring Diagram